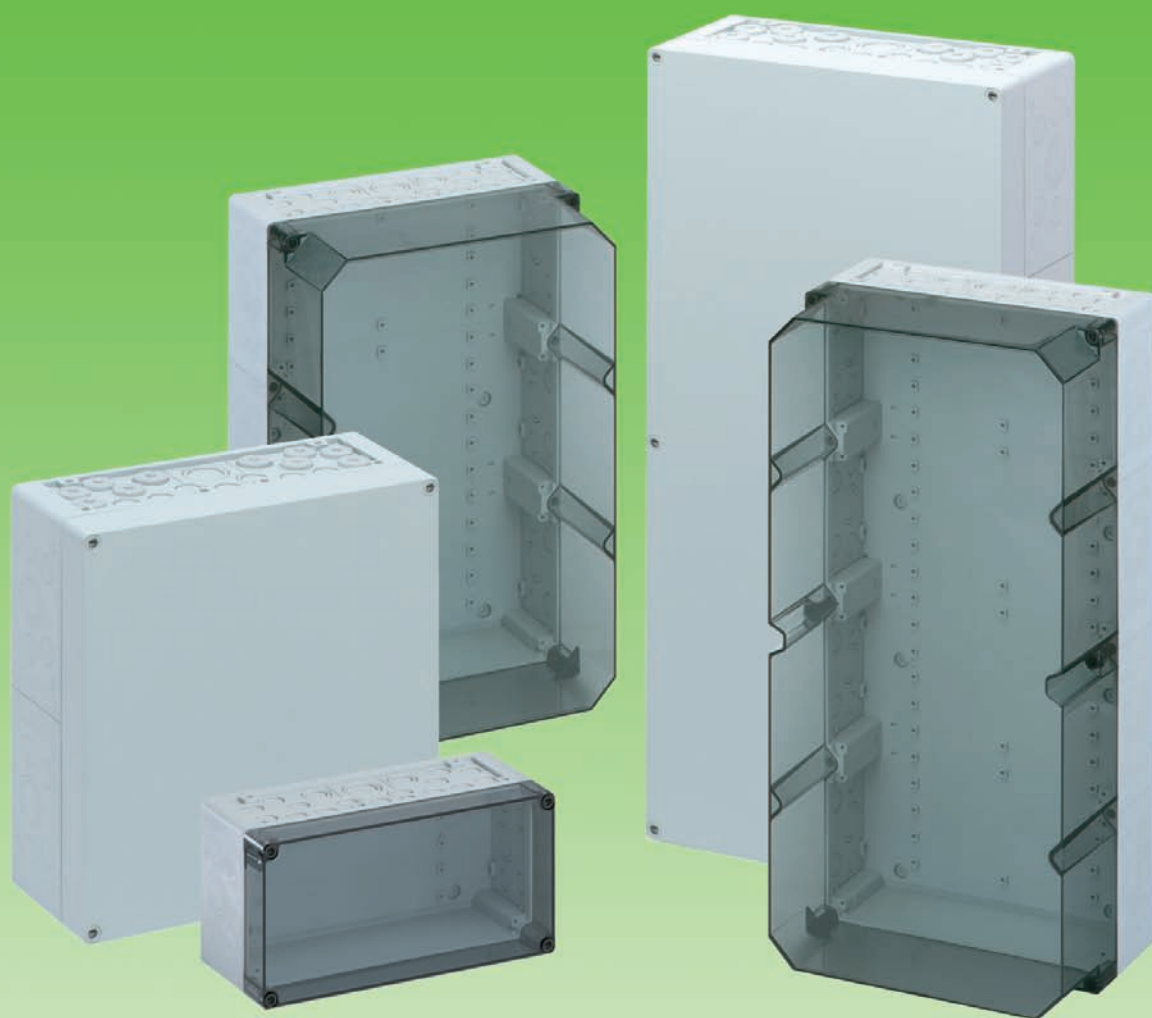


AKL / AKi Empty enclosures



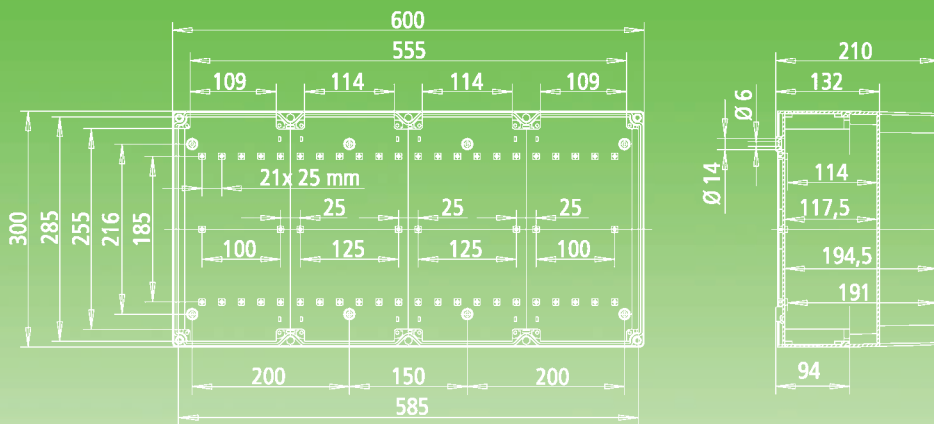
AKL/AKi-Empty Enclosures

- IP 65
- shockproof
- grey, similar to RAL 7035

- 4 basic enclosures with 2 different cover heights
- can be simply combined
- Enclosure size up to 600 x 300 mm

- Polystyrol

- fibre reinforced and transparent Polycarbonate
- break-proof
- non-inflammable



Dimension drawings can be directly
downloaded from our website:

www.boxfinder.de



740 401 01



744 001 01

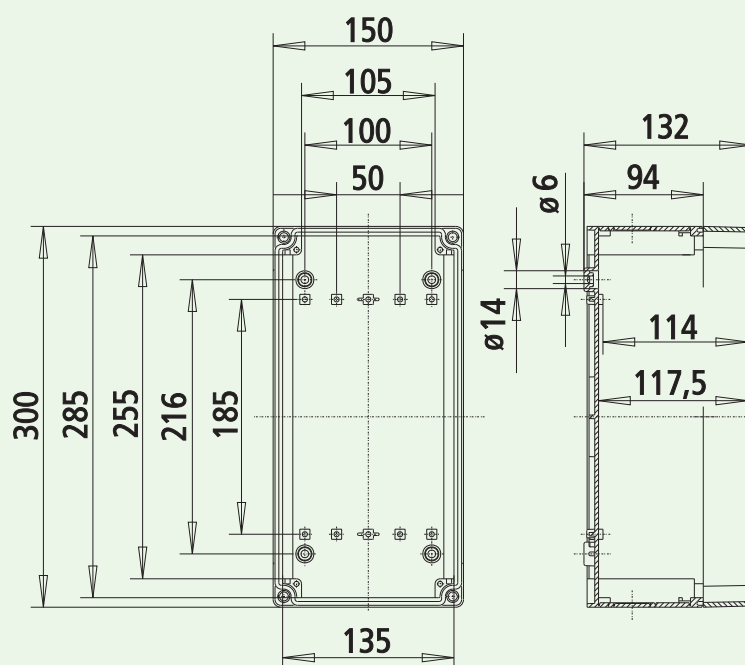


Entries sidewalls each:

- 15 x M20
- 2 x M20 / M25
- 1 x M32 / M40

sidewalls each:

- 4 x M20
- 1 x M25 / M32



AKL / AKi Empty Enclosures

AKL 1-g

300 x 150 mm



Entries end:
15 x M20
2 x M20/M25
1 x M32/M40
Entries on each side:
4 x M20
1 x M25/M32

Description

Order No.

Packing Qty

Empty enclosure $U_i=690$ V, with attachment bushes, sealing and insulating plugs, box and cover: polystyrene, grey, similar to RAL 7035



AKL 1-g	height/mm	Order No.	Packing Qty
	132	740 401 01	1/1

AKL 1-t

300 x 150 mm



Entries end:
15 x M20
2 x M20/M25
1 x M32/M40
Entries on each side:
4 x M20
1 x M25/M32

Empty enclosure $U_i=690$ V, with attachment bushes, sealing and insulating plugs, box: polystyrene, colour grey, similar to RAL 7035, cover: polycarbonate, transparent



AKL 1-t	height/mm	Order No.	Packing Qty
	132	744 001 01	1/1

AKi 1-g

300 x 150 mm



Entries end:
15 x M20
2 x M20/M25
1 x M32/M40
Entries on each side:
4 x M20
1 x M25/M32

Empty enclosure - Industrial Quality - $U_i=690$ V, with attachment bushes, sealing and insulating plugs, box and cover: glass fibre reinforced polycarbonate, grey, similar to RAL 7035



AKi 1-g	height/mm	Order No.	Packing Qty
	132	741 401 01	1/1

AKi 1-t

300 x 150 mm



Entries end:
15 x M20
2 x M20/M25
1 x M32/M40
Entries on each side:
4 x M20
1 x M25/M32

Empty enclosure - Industrial Quality - $U_i=690$ V, with attachment bushes, sealing and insulating plugs, box: glass fibre reinforced polycarbonate, grey, similar to RAL 7035, cover: polycarbonate, transparent



AKi 1-t	height/mm	Order No.	Packing Qty
	132	745 001 01	1/1

Empty Enclosures

740 402 01

744 002 01

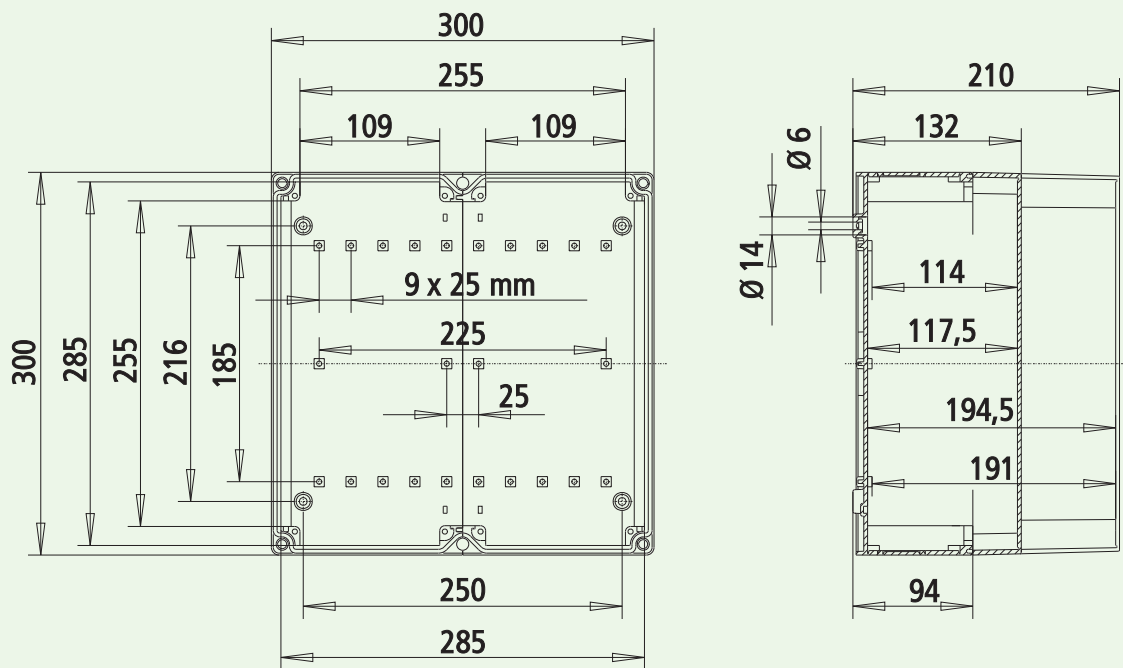


Entries sidewalls each:

- 15 x M20
- 2 x M20 / M25
- 1 x M32 / M40

sidewalls each:

- 8 x M20
- 2 x M25 / M32



AKL / AKi Empty Enclosures

AKL 2-g

300 x 300 mm



Entries end:
15 x M20
2 x M20/M25
1 x M32/M40
Entries on each side:
8 x M20
2 x M25/M32

Description

Order No.

Packing Qty

Empty enclosure $U_i=690$ V, with attachment bushes, sealing and insulating plugs, box and cover: polystyrene, grey, similar to RAL 7035



	height/mm		
AKL 2-g	132	740 402 01	1/1
AKL 2-gh	210	742 902 01	1/1

AKL 2-t

300 x 300 mm



Entries end:
15 x M20
2 x M20/M25
1 x M32/M40
Entries on each side:
8 x M20
2 x M25/M32

Empty enclosure $U_i=690$ V, with attachment bushes, sealing and insulating plugs, box: polystyrene, colour grey, similar to RAL 7035, cover: polycarbonate, transparent



	height/mm		
AKL 2-t	132	744 002 01	1/1
AKL 2-th	210	746 902 01	1/1

AKi 2-g

300 x 300 mm



Entries end:
15 x M20
2 x M20/M25
1 x M32/M40
Entries on each side:
8 x M20
2 x M25/M32

Empty enclosure - Industrial Quality - $U_i=690$ V, with attachment bushes, sealing and insulating plugs, box and cover: glass fibre reinforced polycarbonate, grey, similar to RAL 7035



	height/mm		
AKi 2-g	132	741 402 01	1/1
AKi 2-gh	210	743 902 01	1/1

AKi 2-t

300 x 300 mm



Entries end:
15 x M20
2 x M20/M25
1 x M32/M40
Entries on each side:
8 x M20
2 x M25/M32

Empty enclosure - Industrial Quality - $U_i=690$ V, with attachment bushes, sealing and insulating plugs, box: glass fibre reinforced polycarbonate, grey, similar to RAL 7035, cover: polycarbonate, transparent



	height/mm		
AKi 2-t	132	745 002 01	1/1
AKi 2-th	210	747 902 01	1/1

Empty Enclosures

740 403 01



744 003 01

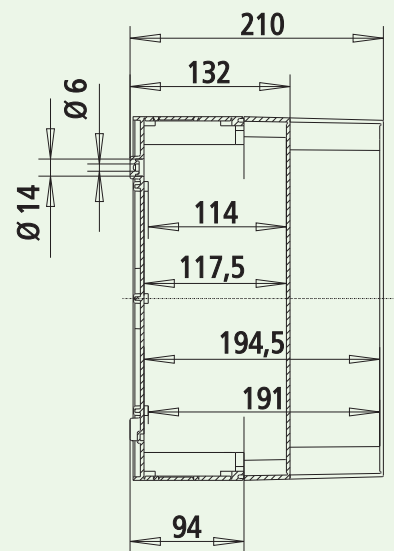
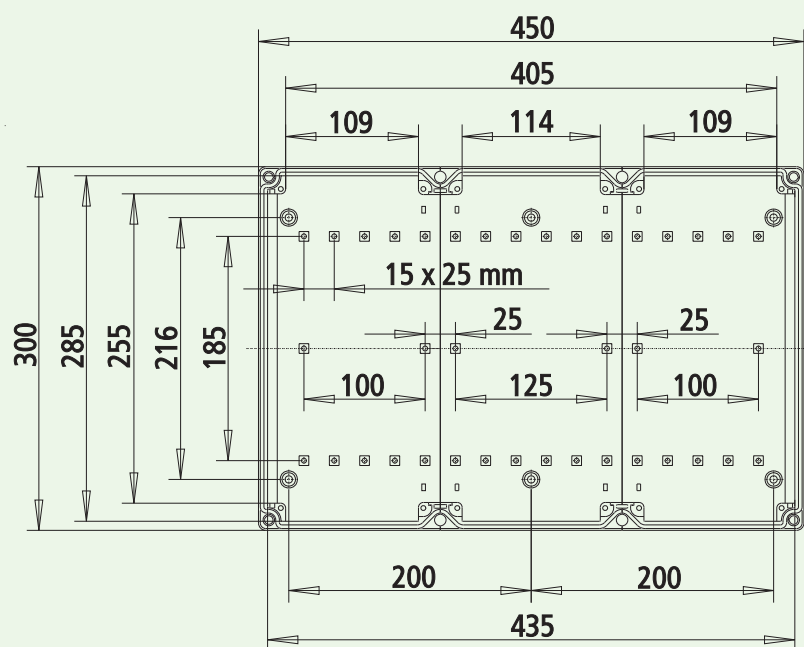


Entries sidewalls each:

- 15 x M20
- 2 x M20 / M25
- 1 x M32 / M40

sidewalls each:

- 12 x M20
- 3 x M25 / M32



AKL / AKi Empty Enclosures

AKL 3-g

300 x 450 mm



Entries end:
15 x M20
2 x M20/M25
1 x M32/M40
Entries on each side:
12 x M20
3 x M25/M32

Description

Order No.

Packing Qty

Empty enclosure $U_i=690$ V, with attachment bushes, sealing and insulating plugs, box and cover: polystyrene, grey, similar to RAL 7035



	height/mm		
AKL 3-g	132	740 403 01	1/1
AKL 3-gh	210	742 903 01	1/1

AKL 3-t

300 x 450 mm



Entries end:
15 x M20
2 x M20/M25
1 x M32/M40
Entries on each side:
12 x M20
3 x M25/M32

Empty enclosure $U_i=690$ V, with attachment bushes, sealing and insulating plugs, box: polystyrene, colour grey, similar to RAL 7035, cover: polycarbonate, transparent



	height/mm		
AKL 3-t	132	744 003 01	1/1
AKL 3-th	210	746 903 01	1/1

AKi 3-g

300 x 450 mm



Entries end:
15 x M20
2 x M20/M25
1 x M32/M40
Entries on each side:
12 x M20
3 x M25/M32

Empty enclosure - Industrial Quality - $U_i=690$ V, with attachment bushes, sealing plugs, Insulating seals, box and cover: glass fibre reinforced polycarbonate, grey, similar to RAL 7035



	height/mm		
AKi 3-g	132	741 403 01	1/1
AKi 3-gh	210	743 903 01	1/1

AKi 3-t

300 x 450 mm



Entries end:
15 x M20
2 x M20/M25
1 x M32/M40
Entries on each side:
12 x M20
3 x M25/M32

Empty enclosure - Industrial Quality - $U_i=690$ V, with attachment bushes, sealing and insulating plugs, box: glass fibre reinforced polycarbonate, grey, similar to RAL 7035, cover: polycarbonate, transparent



	height/mm		
AKi 3-t	132	745 003 01	1/1
AKi 3-th	210	747 903 01	1/1

Empty Enclosures

740 404 01



744 004 01

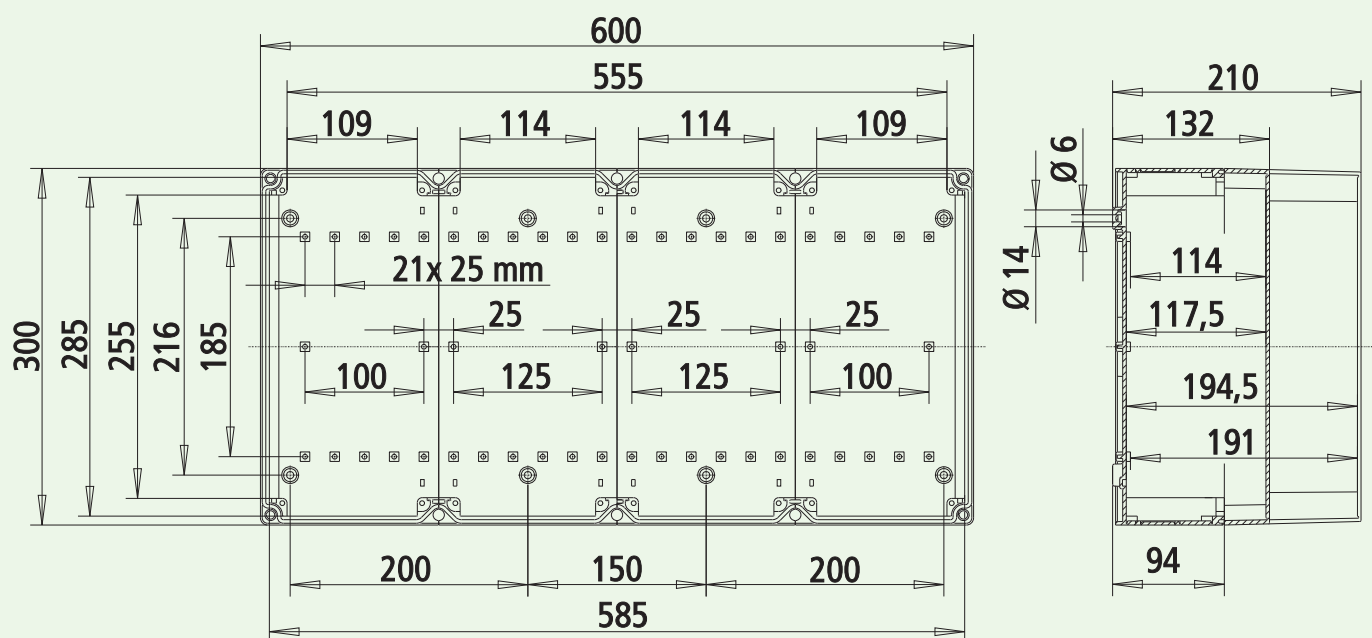


Entries sidewalls each:

- 15 x M20
- 2 x M20 / M25
- 1 x M32 / M40

sidewalls each:

- 16 x M20
- 4 x M25 / M32



AKL / AKi Empty Enclosures

AKL 4-g

300 x 600 mm



Entries end:
15 x M20
2 x M20/M25
1 x M32/M40
Entries on each side:
16 x M20
4 x M25/M32

Description

Order No.

Packing Qty

Empty enclosure - Industrial Quality - $U_i=690V$, with attachment bushes, sealing and insulating plugs, box and cover: glass fibre reinforced polycarbonate, grey, similar to RAL 7035



	height/mm		
AKL 4-g	132	740 404 01	1/1
AKL 4-gh	210	742 904 01	1/1

AKL 4-t

300 x 600 mm



Entries end:
15 x M20
2 x M20/M25
1 x M32/M40
Entries on each side:
16 x M20
4 x M25/M32

Empty enclosure $U_i=690 V$, with attachment bushes, sealing and insulating plugs, box: polystyrene, colour grey, similar to RAL 7035, cover: Polycarbonate, transparent



	height/mm		
AKL 4-t	132	744 004 01	1/1
AKL 4-th	210	746 904 01	1/1

AKi 4-g

300 x 600 mm



Entries end:
15 x M20
2 x M20/M25
1 x M32/M40
Entries on each side:
16 x M20
4 x M25/M32

Empty enclosure - Industrial Quality - $U_i=690V$, with attachment bushes, sealing plugs, Insulating seals, box and cover: glass fibre reinforced polycarbonate, grey, similar to RAL 7035



	height/mm		
AKi 4-g	132	741 404 01	1/1
AKi 4-gh	210	743 904 01	1/1

AKi 4-t

300 x 600 mm



Entries end:
15 x M20
2 x M20/M25
1 x M32/M40
Entries on each side:
16 x M20
4 x M25/M32

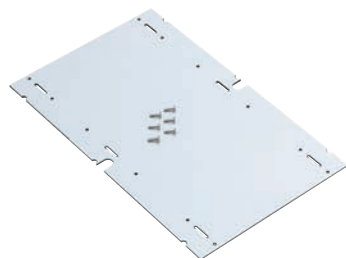
Empty enclosure - Industrial Quality - $U_i=690V$, with attachment bushes, sealing and insulating plugs, box: glass fibre reinforced polycarbonate, grey, similar to RAL 7035, cover: polycarbonate, transparent



	height/mm		
AKi 4-t	132	745 004 01	1/1
AKi 4-th	210	747 904 01	1/1

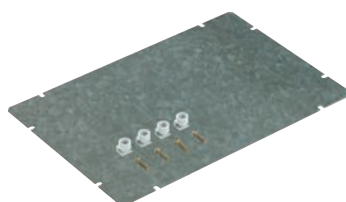
Empty Enclosures

AK Mounting flange (insulating material)



Description	Order No.	Packing Qty		
Made of insulation material for fitting in equipment with floor fixing, including fixing screws, main cable junction terminal - Industrial Quality - with cross-sectional area				
	Dimensions/mm	for type		
AK MPI 1	240 x 112 x 4.0	AKL / AKi 1-4	795 001 01	1/1
AK MPI 2	240 x 240 x 4.0	AKL / AKi 2-4	795 002 01	1/1
AK MPI 3	240 x 390 x 4.0	AKL / AKi 3-4, Abox/Abox-i 700	795 003 01	1/1
AK MPI 4	240 x 540 x 4.0	AKL / AKi 4	795 004 01	1/1

AK Mounting flange (steel plate)



Description	Order No.	Packing Qty		
Made of steel, incl. fixing screws				
	Dimensions/mm	for type		
AK MPS 2	10 x 16 x 2.0	AKL / AKi 1-4	795 012 01	1/1
AK MPS 3	240 x 390 x 2.0	AKL / AKi 3-4	795 013 01	1/1
AK MPS 4	240 x 540 x 2.0	AKL / AKi 4	795 014 01	1/1

AK Mounting flange



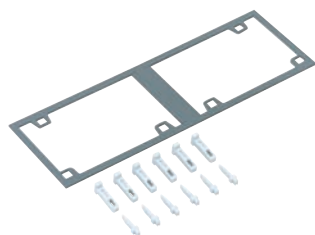
Description	Order No.	Packing Qty
For installation in the components of the AK enclosure system for 300 mm wide end walls (AKL, AKZ, ...). The distribution boxes from AK/AKi 14 and from AK/AKi 14 Plus are provided with cable covers as standard		
AK ABF 1 with pre-embossing, 2 x M32 / M40 / M50, 1 x M40 / M50 / M63	795 048 01	1/1
AK ABF 2 smooth for self-drilling	795 050 01	1/1

AKi Mounting flange



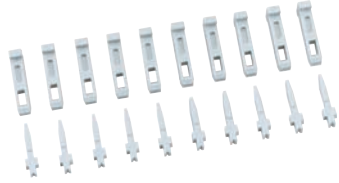
Description	Order No.	Packing Qty
Mounting flange for attachment to components of AKi housing system to 300 mm wide sides, complete with fixing material		
AKi ABF 1 with pre-embossing, 2 x M32 / M40 / M50, 1 x M40 / M50 / M63	796 051 01	1/1
AKi ABF 2 smooth for self-drilling	796 050 01	1/1

AK Combi set



Description	Order No.	Packing Qty
IP65 For horizontal or vertical combination of all AK enclosures from 300 x 150 mm, complete with wedge connectors and intermediate sealing for 150 and 300 mm enclosure sides each 300 mm = 1 combi set		
AK KS-IP65	791 001 01	100/1

AK Combi set



IP30

Description

Order No.

Packing Qty

Combi set without intermediate enclosure seal, for horizontal or vertical combination of all AK enclosures from 300 x 150 mm, 1 set = 10 wedge connectors

AK KS-IP30

591 100 01

1/1

Combi set



IP66

Combi set, for side connection of housings with metric openings, complete with lock nuts and intermediate wall seal inserts

f. wall thicknesses/mm

KS M20

2.0 x 3.0

192 020 01

100/1

KS M25

2.0 x 3.0

192 025 01

50/1

KS M32

2.0 x 3.5

192 032 01

50/1

KS M40

2.0 x 3.5

192 040 01

50/1

Combi connector



IP54

Combination connector, for connecting enclosures, thermo plastic

KST M32

f. wall thicknesses, 1.5 - 4.0 mm

193 032 01

150/1

Mounting rail NS 35



Mounting rail according to DIN EN 60715, 35 x 7.5, width 35mm

AK NS35-250

from 300 x 300 mm, length 250 mm, including spacers

562 735 01

1/1

NS35-216/3

universal floor fixing, length 216 mm, with fixing screws

795 030 01

1/1

AK NS35-406

universal floor fixing, incl. fixing screws, Length 406 mm

795 045 01

1/1

AK NS35-556

universal floor fixing, incl. fixing screws, Length 556 mm

795 060 01

1/1

Support NS



Description	Order No.	Packing Qty
For standard rails according DIN EN 50 022-35 x 7.5, Set = 10 pieces		
	height/mm	
TR NS35-20	795 020 01	1/1
TR NS35-64	795 064 01	1/1
TR NS35-91	795 091 01	1/1
SR NS35	795 413 01	1/1

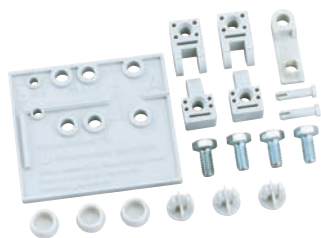
AK External attachment set



External fixing lugs, for mounting of separate enclosures or small units on flat wall surfaces, may be fixed to the bottom of the enclosure at an angle of 0°, 45°, or 90°, wall gap 7 mm

AK ABL-ES Set = 4 pieces	793 004 01	50/1
------------------------------------	------------	------

Hinge set



For converting the upper part of enclosure to a door, for the components of the AK enclosure system from size 300 x 150 mm, complete with drilling template, fixing screws and locking seals

ASS-gro External hinge set large	190 005 01	200/1
--	------------	-------

Padlock kit



Padlock kit for upgrading the housing cover to lockable hinged door, incl. padlock, 2 hinges, fixing screws, cover plugs and drilling template

VSG	190 100 01	20/1
------------	------------	------

Partition wall



For installation in the components of the AK enclosure system, 300 mm wide, universal application for various enclosure heights, grey

AK TW	797 910 01	1/1
--------------	------------	-----

Z-wall profile

2000 mm



Description	Order No.	Packing Qty
Z-Wall profile, Zinc coated, length 2 m, with 8 cap-head screws and 8 captive push-fit nuts, wall gap 70 mm		
ZPR	070 800 01	1/1

KF 12 Hinged window

228 x 80 x 23 mm



IP65

For fitting to housing cover, for maximum 12 modules at 17.5 mm, with transparent hinged window, frame with sealing both sides, with drilling template and fixing screws

KF 12	567 412 01	15/1
--------------	------------	------

SF 12 Inspection window

228 x 80 x 12,5 mm



IP65

For fitting to housing cover, transparent viewing window, with drilling template and fixing screws

SF 12	568 012 01	10/1
--------------	------------	------