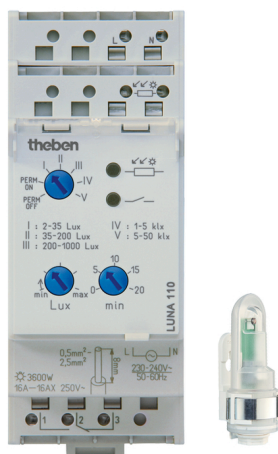


## Description



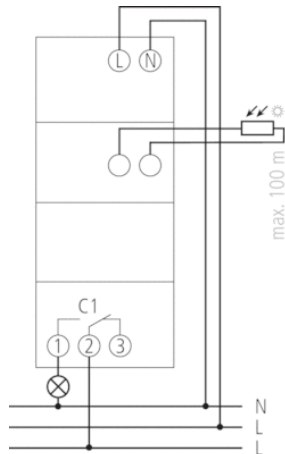
- Analogue twilight switch
- External light sensor included in delivery
- Adjustable On and Off switching delay
  - to avoid faulty operation caused by lightning, car headlights etc.
- Display of channel and switching status
- DuoFix spring terminals
  - for 2 conductors per connection terminal
- Extended brightness levels and adjustable delay
- Five adjustable brightness levels for simple setting of lux value
- Zero-cross switching for relay-saving switching and high lamp loads (not with 24 V devices)
- Permanent OFF and permanent ON function can be set on the potentiometer
- Test function
  - for monitoring installation independent of set brightness value
- Infinitely adjustable switching brightness

## Technical data

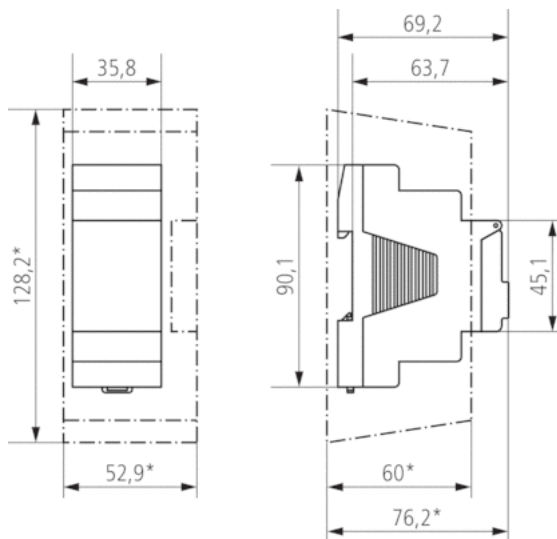
Operating voltage	220 – 240 V AC
Frequency	50 – 60 Hz
Number of channels	1
Stand-by consumption	~1,3 W
Capacity loss max.	1,4 W
Setting range brightness	2 – 50000 lx
Switch-on delay	0 – 20 min
Switch-off delay	0 – 20 min
Type of contact	Changeover contact
Switching output	Potential-free, not for SELV
Width	2 modules
Installation type	DIN rail
Type of connection	DuoFix spring terminals
Keyboards	3 potentiometers
Switching capacity	16 A (at 250 V AC, $\cos \varphi = 1$ ), 16 AX (Fluorescent lamp load)
Switching capacity min.	<10 mA
Incandescent lamp load	3600 W
Halogen lamp load	3600 W
Fluorescent lamp load (conventional) not corrected	3600 VA
Fluorescent lamp load (conventional) series-corrected	3600 VA
Fluorescent lamp load (conventional) lead-lag circuit	3600 VA
Fluorescent lamp load (conventional) parallel-corrected	1200 VA 130 $\mu$ F
LED lamp	< 2 W = 50 W or 2-8 W = 160 W
Energy saving lamps	34 x 7 W, 27 x 11 W, 24 x 15 W, 22 x 23 W
Fluorescent lamp load (electronic ballast)	1000 W

Test approval	VDE
Housing and insulation material	High-temperature resistant, self-extinguishing thermoplastic
Ambient temperature	-30 °C ... +55 °C
Type of protection	IP 20, sensor IP 55
Protection class	II, Sensor III
Max. cable length to sensor	100 m

### Connection example



### Scale drawings



### Accessories

#### Analogue surface-mounted light sensor

- Article number: 9070416  
[Details ▶ www.theben.de](http://www.theben.de)



#### Analogue flush-mounted light sensor

- Article number: 9070011  
[Details ▶ www.theben.de](http://www.theben.de)



#### Wall mounting kit 35 mm

- Article number: 9070064  
[Details ▶ www.theben.de](http://www.theben.de)



Article number: 1100100

Front panel kit

---

- Article number: 9070001  
Details ▶ [www.theben.de](http://www.theben.de)

